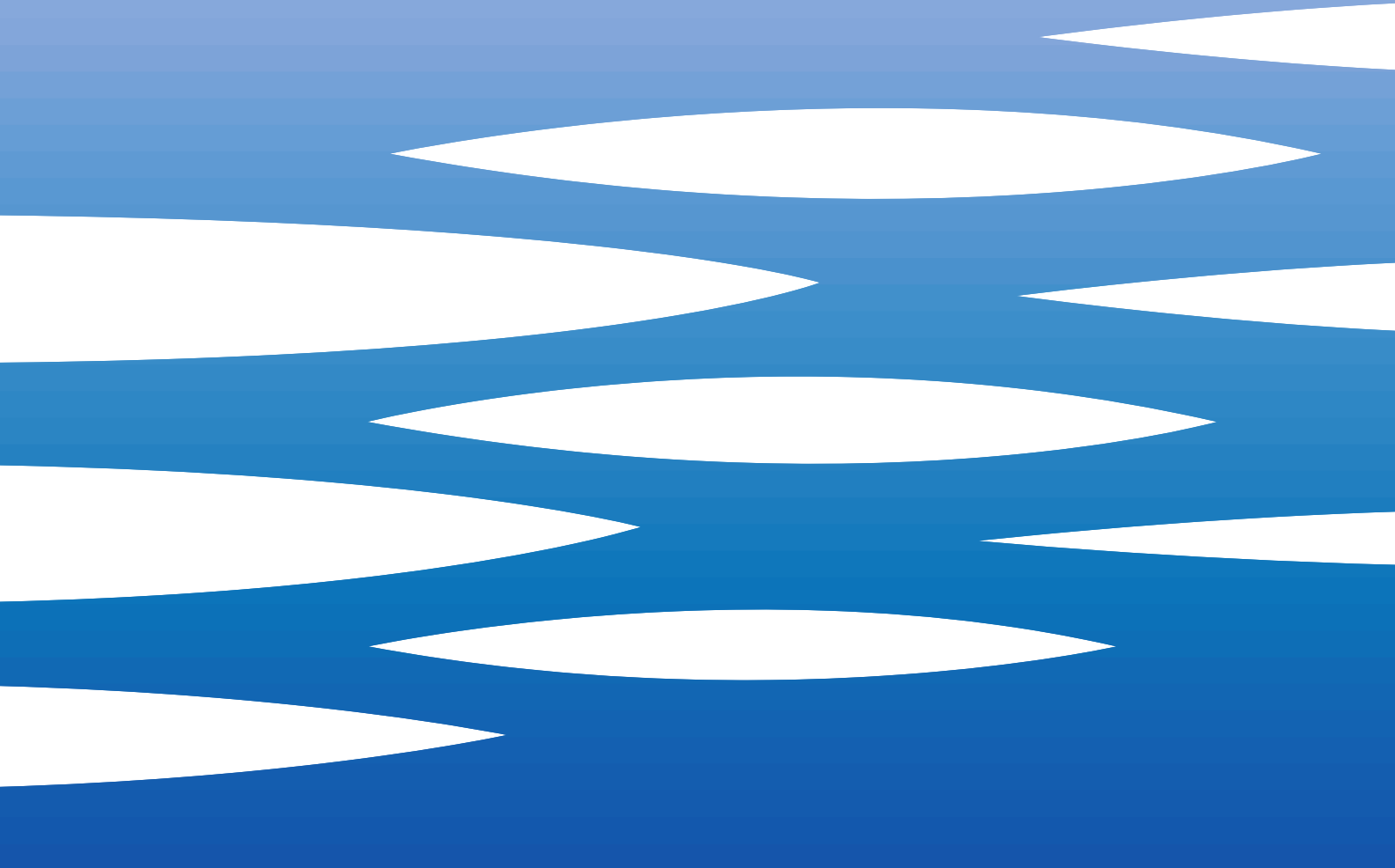


**EBARA**



	Page
<b>- SPECIFICATIONS</b>	200
SELECTION CHART	201
PERFORMANCE CHART AGE 0.50	202
PERFORMANCE CHART AGE 0.60	203
PERFORMANCE CHART AGE 0.80	204
PERFORMANCE CHART AGF 0.60	205
PERFORMANCE CHART AGF 0.80	206
<b>- CONSTRUCTIONS</b>	300
SECTIONAL VIEW	300
MECHANICAL SEAL	301
DIAGRAM AND ELECTRIC CONNECTIONS	302
DIAGRAM AND ELECTRIC CONNECTIONS	303
<b>- DIMENSIONS</b>	400
PACKING AND WEIGHT	401
<b>- TECHNICAL DATA</b>	500

## SPECIFICATIONS

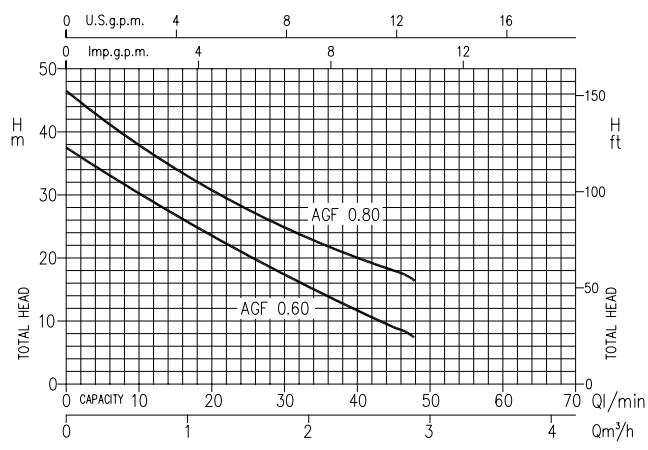
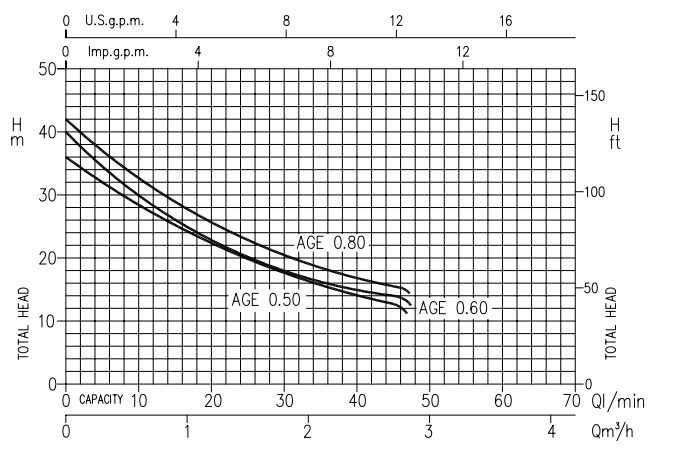
50Hz

PUMP		
Liquid Handled	Type of liquid	Clean water
	Max temperature [°C]	45
Maximum working pressure	[MPa]	0.6
Maximum suction depth	[m]	8
Construction	Impeller	Closed centrifugal type
	Shaft seal type	Mechanical seal
	Bearing	Sealed ball bearing
Pipe Connection	Suction	G 1" UNI ISO 228
	Discharge	G 1" UNI ISO 228
Material	Casing	Cast iron
	Impeller	PPO mod. glass fibre reinforced
	Casing cover	AISI 304
	Shaft seal	Ceramic/Carbon/NBR
	Shaft	AISI 416
	Bracket	Aluminium
	Ejector	PPO mod. glass fibre reinforced
	Diffuser	PPO mod. glass fibre reinforced
Applicable standard of test		ISO 9906 - Annex A

MOTOR		
Type	Electric - TEFC	
	Single Phase	Three Phase
No. of Poles	2	
Synchronous speed [min <sup>-1</sup> ]	3000	
Insulation Class	F	
Protection degree	IP 44	
Power rating	[kW]	0.37 ÷ 0.6
	[HP]	0.5 ÷ 0.8
Frequency [Hz]	50 Hz	
Voltage [V]	230 ±10%	230/400 ±10%
Capacitor	Built in	-
Over load protection	Built in	Provided by the user
Casing material	Aluminium	
Base material/motor support	Plastic foot / Cast iron	
Dimensions of cable entry	PG11	

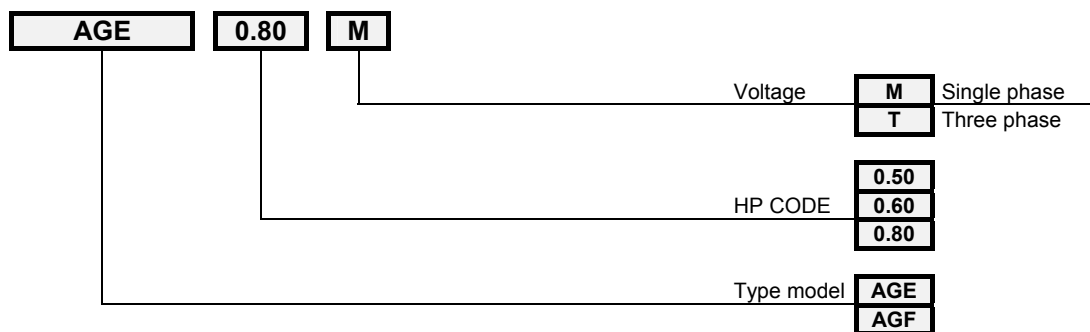
AGE

AGF

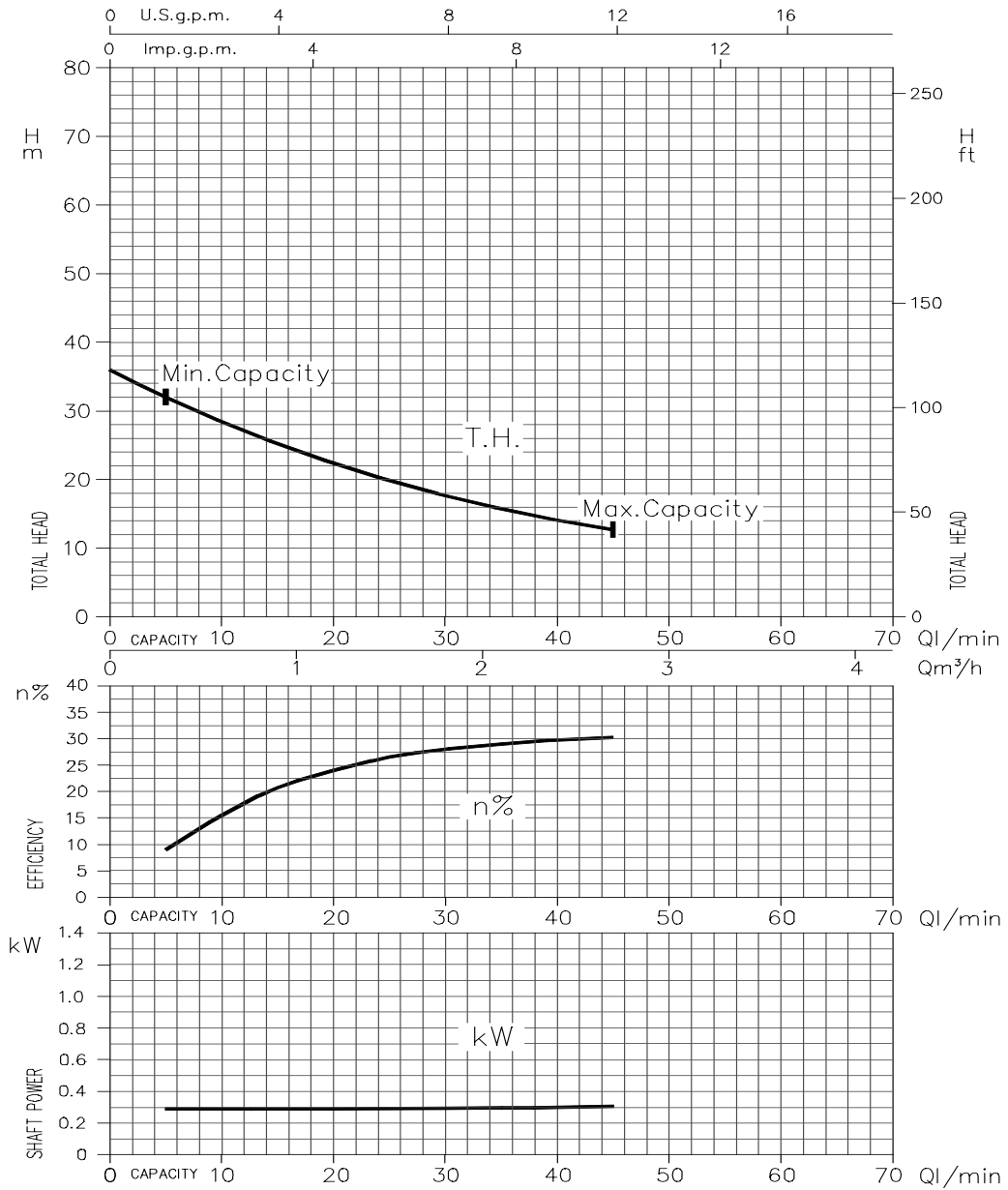


Type pumps		kW	HP	Q=Capacity					
Single Phase 230 V 50 Hz	Three Phase 230/400 V 50 Hz			l/min 5	10	20	30	40	45
				m³/h 0	0.6	1.2	1.8	2.4	2.7
H=Total manometric head in meters									
AGE 0.50 M	AGE 0.50 T	0.37	0.5	32	28.4	22.4	17.6	14.1	12.7
AGE 0.60 M	AGE 0.60 T	0.45	0.6	34.5	29.9	22.8	17.9	14.9	14
AGE 0.80 M	AGE 0.80 T	0.6	0.8	37	32.7	25.6	20.5	16.8	15.5
AGF 0.60 M	AGF 0.60 T	0.45	0.6	33.8	30.2	23.5	17.3	11.7	9
AGF 0.80 M	AGF 0.80 T	0.6	0.8	42	37.9	30.7	24.8	20	18

TYPE KEY:

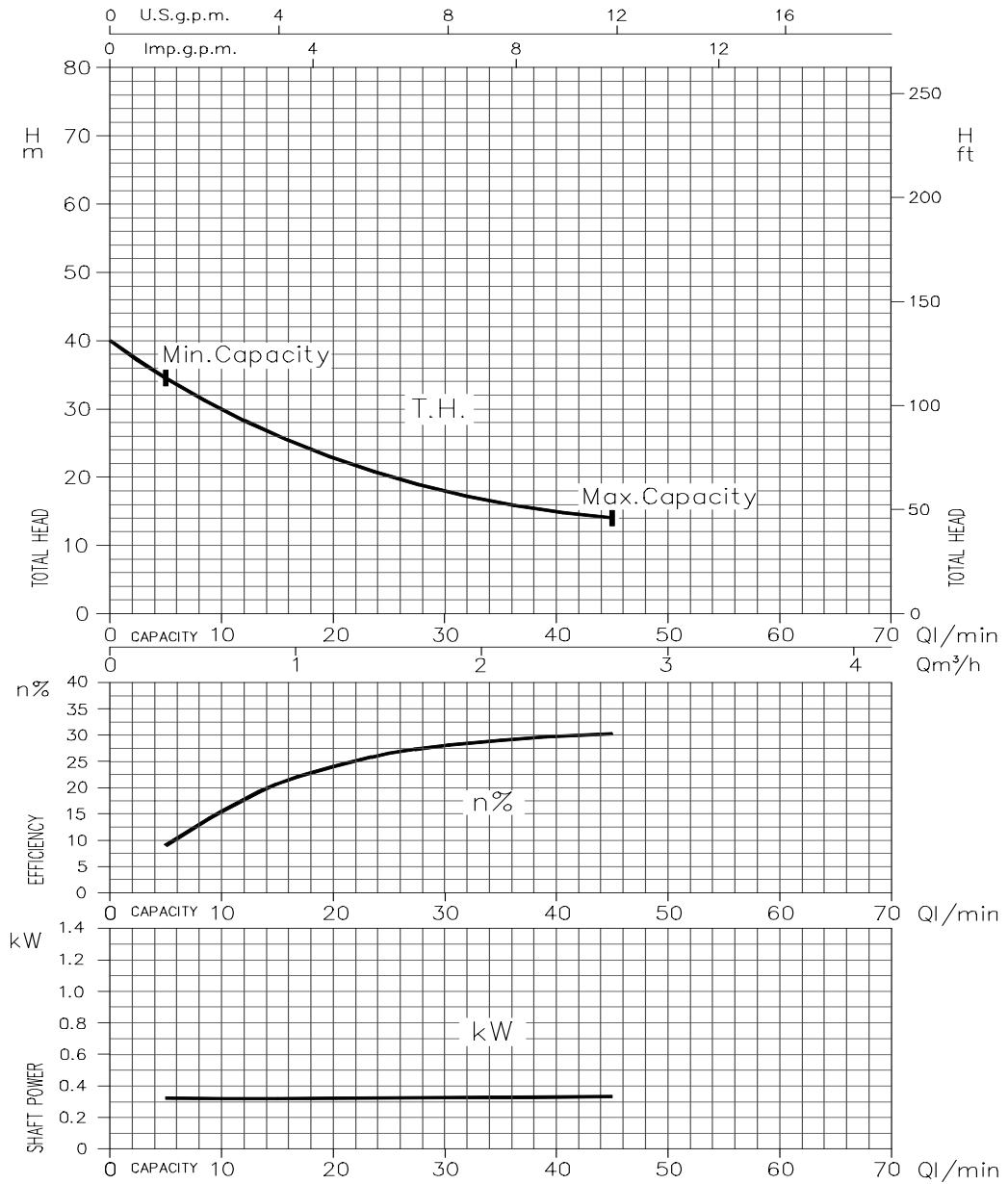


AGE 0.50 (0.37 kW)  
 SYNCHRONOUS SPEED : 3000 min<sup>-1</sup>



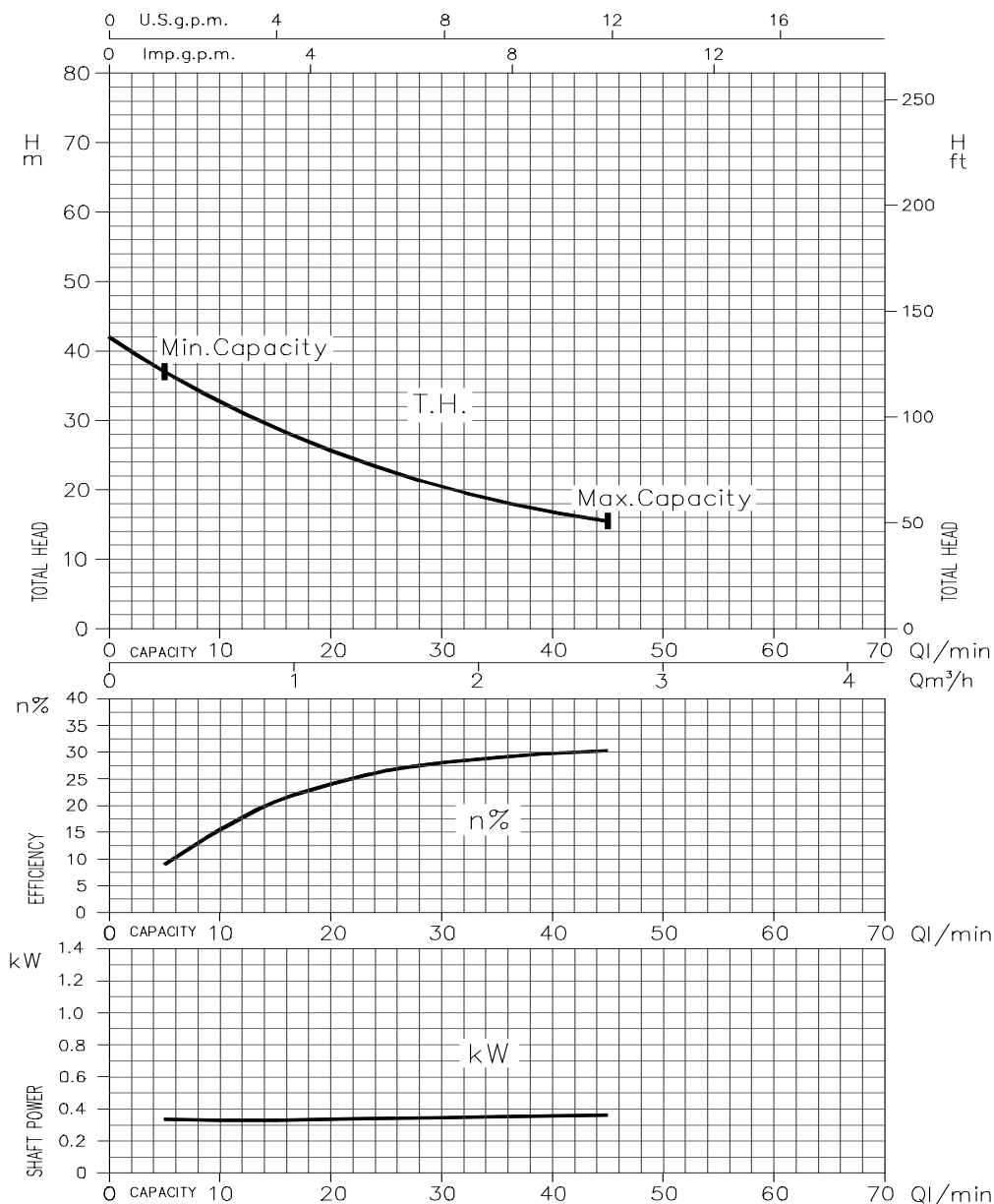
Temperature of water: 20°C  
 Impeller diameter = 110 mm  
 Applicable standard of test: ISO 9906 - Annex A

AGE 0.60 (0.45 kW)  
 SYNCHRONOUS SPEED : 3000 min<sup>-1</sup>



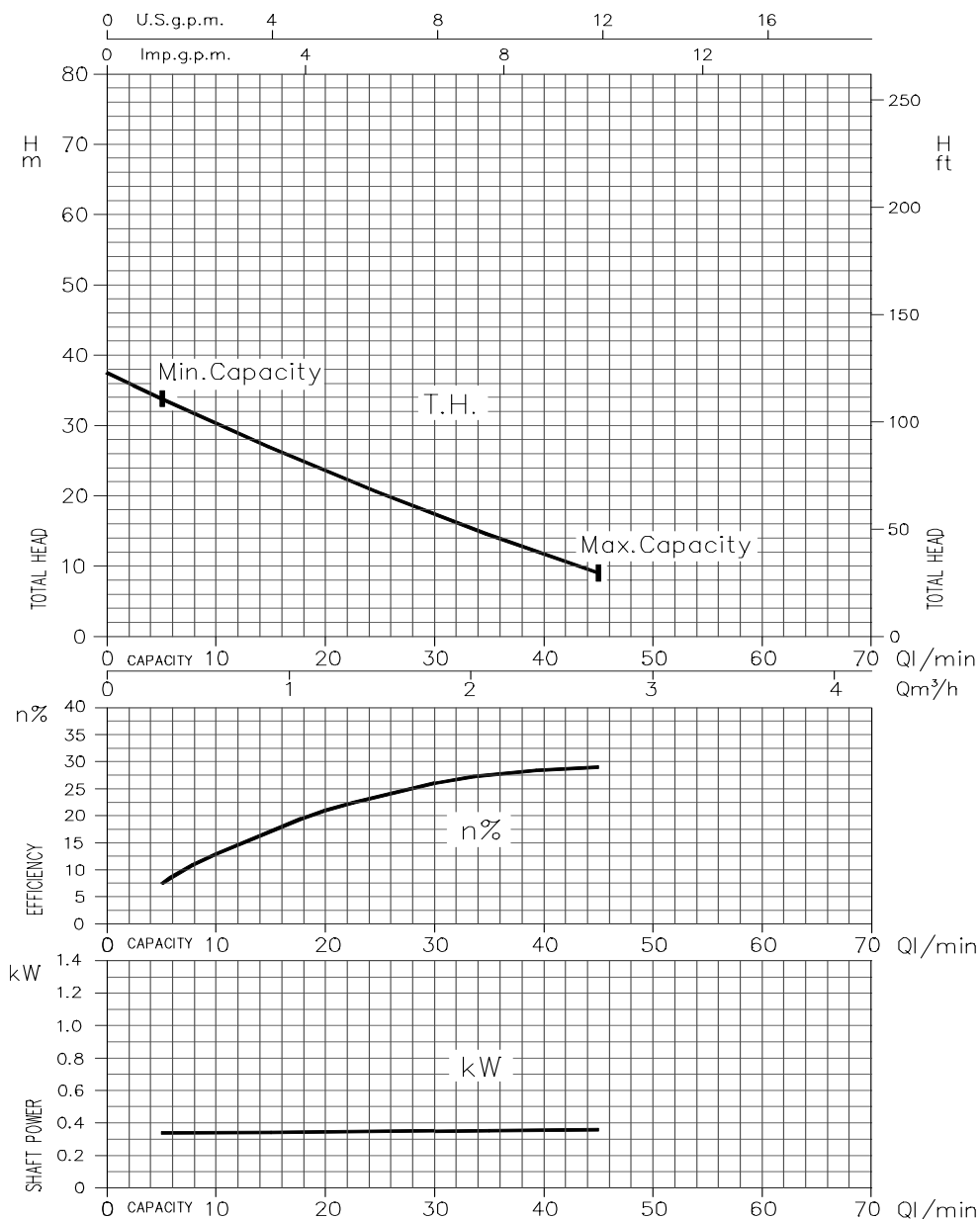
Temperature of water: 20°C  
 Impeller diameter = 109 mm  
 Applicable standard of test: ISO 9906 - Annex A

AGE 0.80 (0.6 kW)  
 SYNCHRONOUS SPEED : 3000 min<sup>-1</sup>



Temperature of water: 20°C  
 Impeller diameter = 110 mm  
 Applicable standard of test: ISO 9906 - Annex A

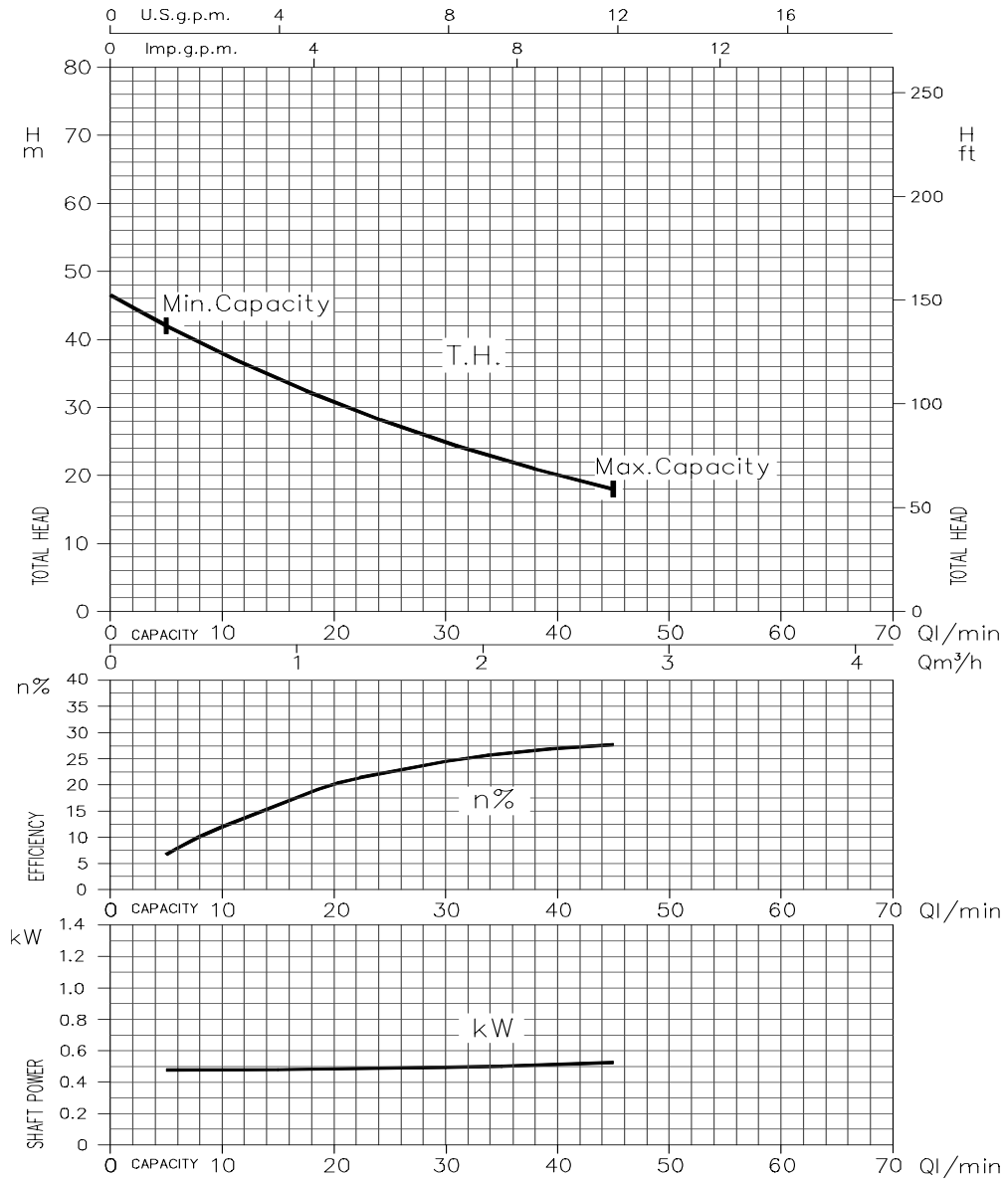
AGF 0.60 (0.45 kW)  
 SYNCHRONOUS SPEED : 3000 min<sup>-1</sup>



Temperature of water: 20°C  
 Impeller diameter = 130 mm  
 Applicable standard of test: ISO 9906 - Annex A

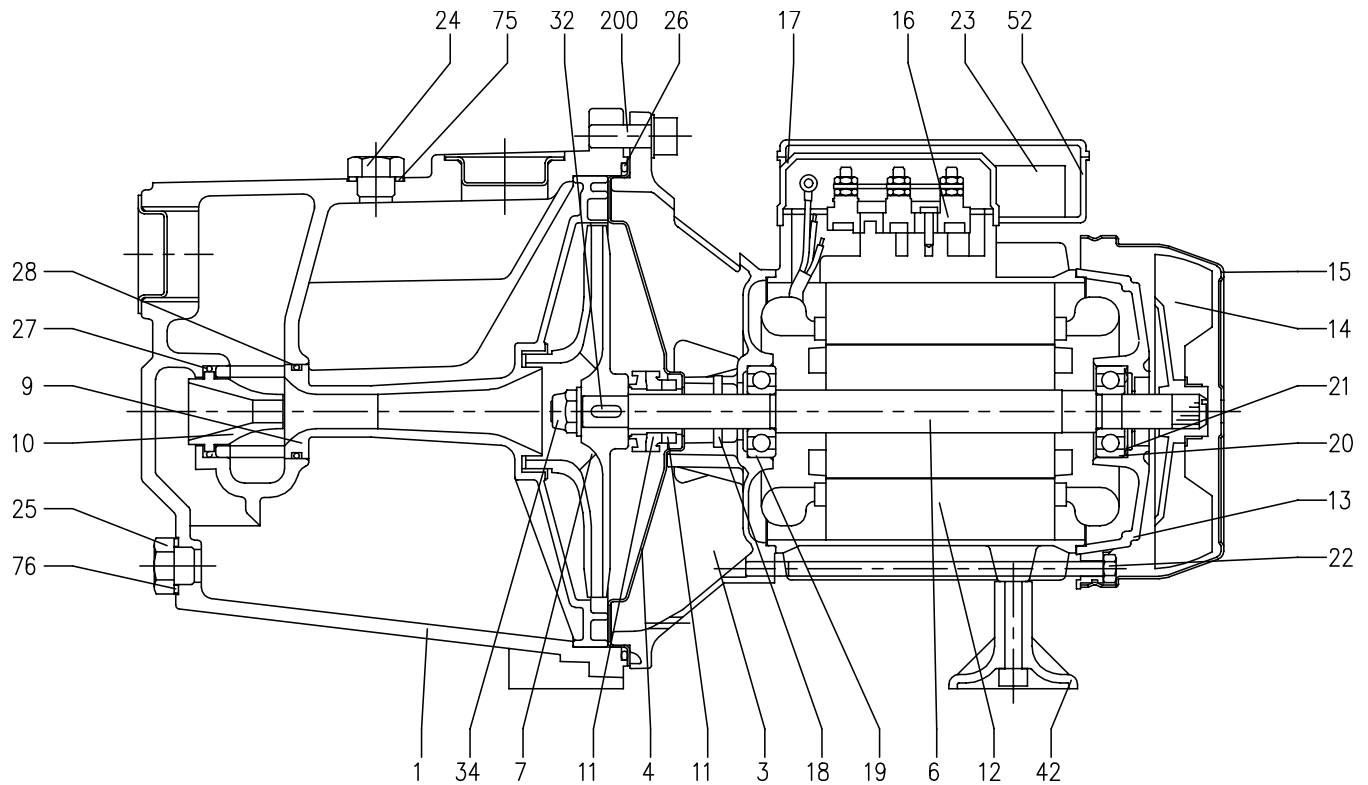


AGF 0.80 (0.6 kW)  
 SYNCHRONOUS SPEED : 3000 min<sup>-1</sup>



Temperature of water: 20°C  
 Impeller diameter = 130 mm  
 Applicable standard of test: ISO 9906 - Annex A

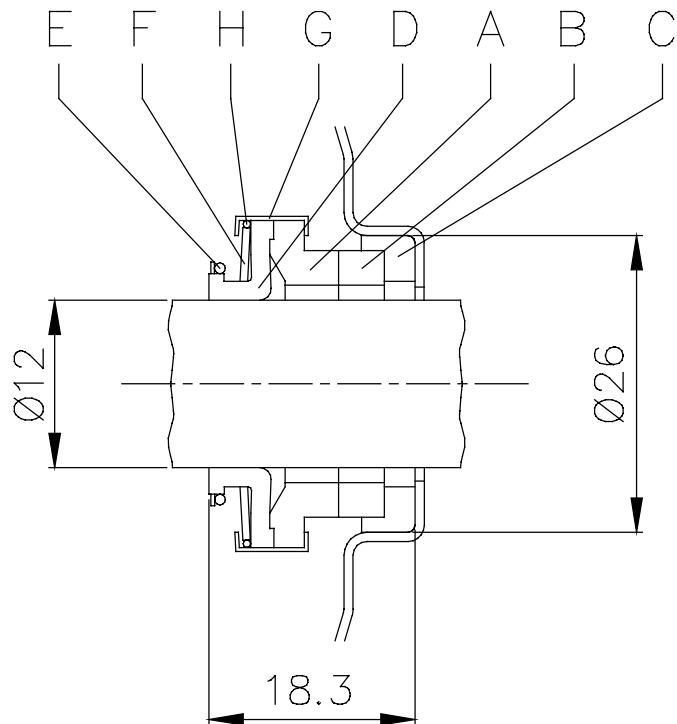
SECTIONAL VIEW



N°	PART NAME	MATERIAL	Q.TY	N°	PART NAME	MATERIAL	Q.TY
1	Casing	Cast iron	1	20	Fan side ball bearing	-	1
3	Motor bracket	Aluminium	1	21	Adjusting ring	Steel C70	1
4	Casing cover	AISI 304	1	22	Tie rod	Fe 42 Zinked	4
6	Shaft with rotor	AISI 416	1	23	Capacitor [1]	-	1
7	Impeller	PPO mod. glass fibre reinforced	1	24	Priming plug	Brass	1
9	Diffuser + Venturi tube	PPO mod. glass fibre reinforced	1	25	Drain plug	Brass	1
10	Venturi nozzle	PPO mod. glass fibre reinforced	1	26	O-ring	NBR	1
11	Mechanical seal [3]	Carbon/Ceramic/NBR	1	27	O-ring	NBR	1
12	Motor frame with stator	-	1	28	O-ring	NBR	1
13	Motor cover	Aluminium	1	32	Key	AISI 304	1
14	Fan	PA6	1	34	Impeller nut	AISI 304	1
15	Fan cover	Fe P04 Zinked	1	42	Foot	PVC	1
16	Terminal board	-	1	52	Terminal box [1]	ABS	1
17	Terminal box cover [2]	Aluminium	1	75	Washer	Aluminium	1
18	Splash ring	NBR	1	76	Washer	Aluminium	1
19	Pump side ball bearing	-	1	200	Screw	Stainless steel A2 UNI7323	4

- [1] Only for single phase
- [2] Only for three phase
- [3] See constructions mechanical seal page 301

## MECHANICAL SEAL



REF	PART NAME	MATERIAL product standard
		AGE-AGF
A	Rotary seal ring	carbon graphite
B	Stationary seal ring	ceramic
C	Gasket	NBR
D	Bellows	NBR
E	Ring	AISI 304
F	Self driving spring	AISI 304
G	Frame	AISI 304
H	Retainer ring	AISI 304

DIAGRAM AND ELECTRIC CONNECTIONS

SINGLE PHASE MOTOR

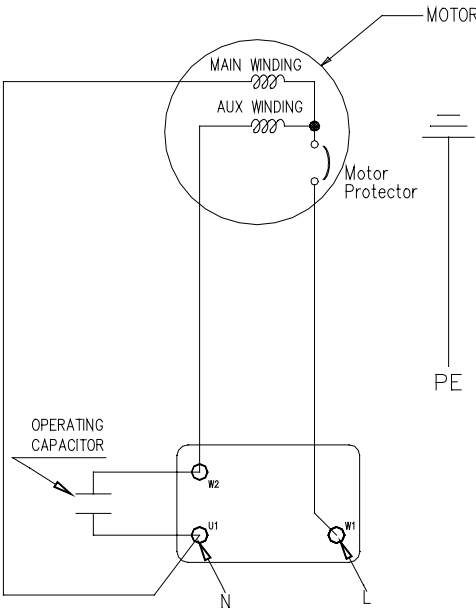
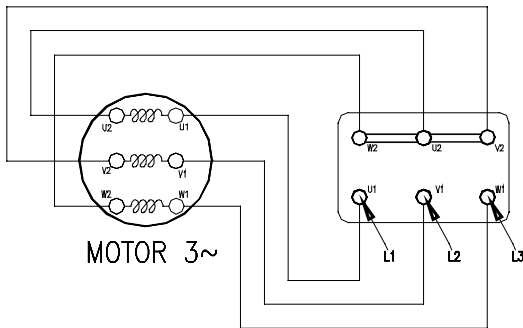


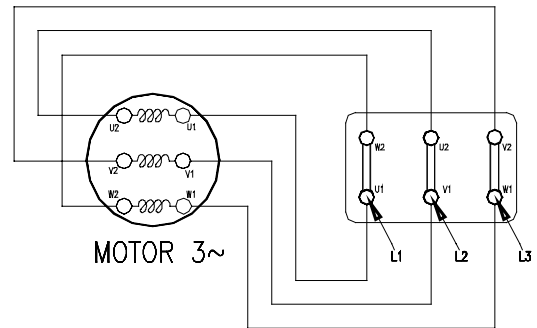
DIAGRAM AND ELECTRIC CONNECTIONS

THREE PHASE MOTOR

STAR CONNECTION

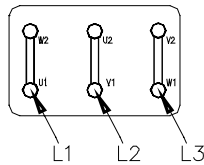


DELTA CONNECTION

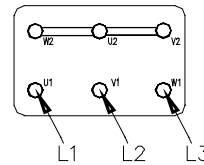


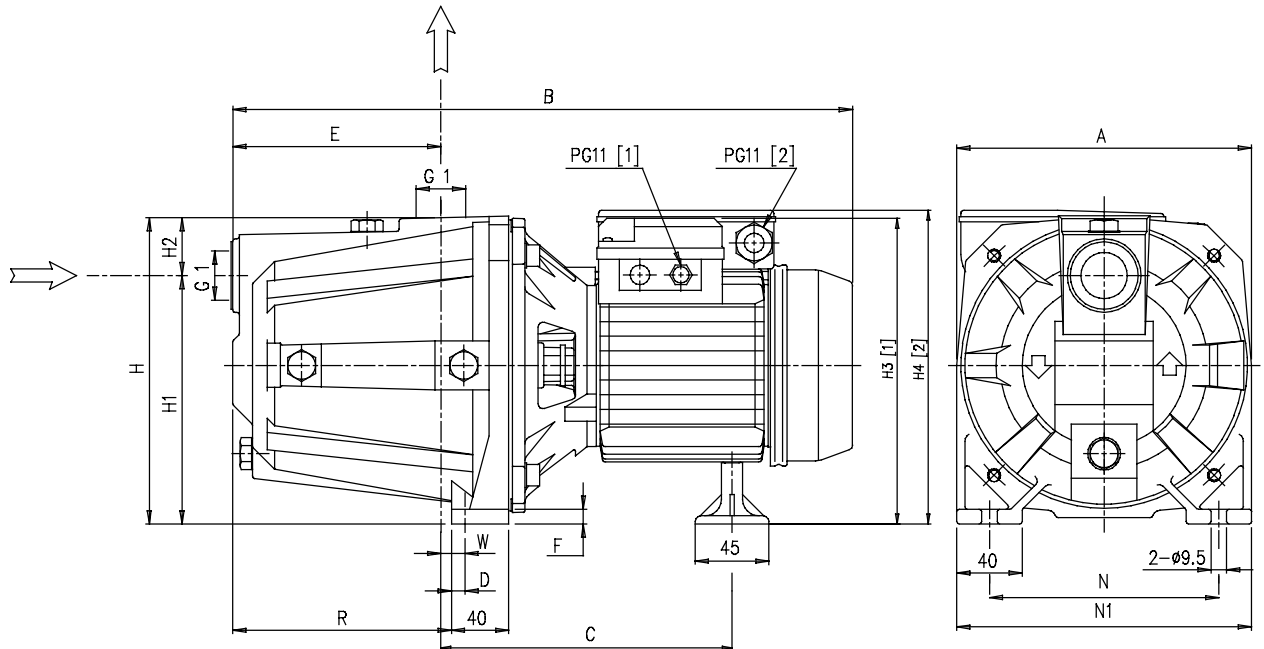
FOR MOTOR 4 kW AND BELOW

DELTA CONNECTION 230 V



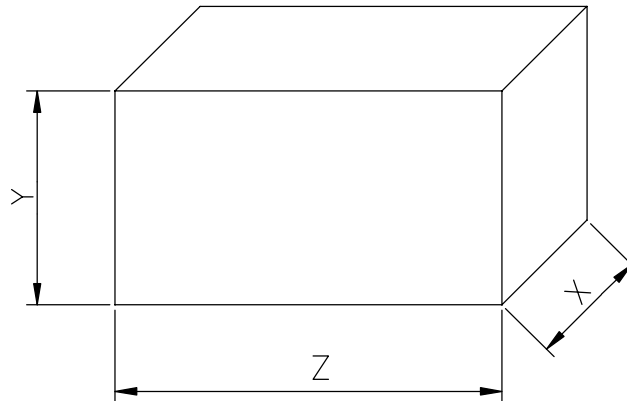
STAR CONNECTION 400 V





Pump type	Dimensions mm														
	A	B	C	D	E	F	H	H1	H2	H3 [1]	H4 [2]	N	N1	R	W
AGE 0.50 M	150	352	193	17.2	99.5	8	160	122	38	-	174	110	150	111	24
AGE 0.50 T	150	352	193	17.3	99.5	8	160	122	38	172.5	-	110	150	111	24
AGE 0.60 M	150	352	193	17.3	99.5	8	160	122	38	-	174	110	150	111	24
AGE 0.60 T	150	352	193	17.3	99.5	8	160	122	38	172.5	-	110	150	111	24
AGE 0.80 M	150	352	193	17.3	99.5	8	160	122	38	-	174	110	150	111	24
AGE 0.80 T	150	352	193	17.3	99.5	8	160	122	38	172.5	-	110	150	111	24
AGF 0.60 M	180	377	191	10.3	127	9	185	152	33	-	189	140	180	129	12
AGF 0.60 T	180	377	191	10.3	127	9	185	152	33	187.5	-	140	180	129	12
AGF 0.80 M	180	377	191	10.3	127	9	185	152	33	-	189	140	180	129	12
AGF 0.80 T	180	377	191	10.3	127	9	185	152	33	187.5	-	140	180	129	12

[1] Only for three phase  
 [2] Only for single phase



Type pumps		PACKING [mm]			WEIGHT [kg]	
Single Phase	Three Phase	X	Y	Z	Single Phase	Three Phase
AGE 0.50 M	AGE 0.50 T	175	205	365	8	8
AGE 0.60 M	AGE 0.60 T	175	205	365	8.5	8.5
AGE 0.80 M	AGE 0.80 T	175	205	365	9	9
AGF 0.60 M	AGF 0.60 T	205	230	410	11	11
AGF 0.80 M	AGF 0.80 T	205	230	410	12	12

Type pumps		kW	HP	Ball Bearing		Capacitor		Input in [kW]		Full load current in [A]		
Single Phase 230 V 50 Hz	Three Phase 230/400 V 50 Hz			Pump side	Fan side	μF	Vl	Single Phase	Three Phase	Single Phase	Three Phase 230 V 400 V	
AGE 0.50 M	AGE 0.50 T	0.37	0.5	6201 ZZ	6201 ZZ	10	450	0.5	0.53	2.4	2	1.1
AGE 0.60 M	AGE 0.60 T	0.45	0.6	6201 ZZ	6201 ZZ	10	450	0.58	0.55	2.75	2	1.1
AGE 0.80 M	AGE 0.80 T	0.6	0.8	6201 ZZ	6201 ZZ	10	450	0.6	0.57	2.8	2.1	1.2
AGF 0.60 M	AGF 0.60 T	0.45	0.6	6201 ZZ	6201 ZZ	10	450	0.66	0.63	3	2.1	1.2
AGF 0.80 M	AGF 0.80 T	0.6	0.8	6201 ZZ	6201 ZZ	12.5	450	0.83	0.76	3.7	2.4	1.4

Type pumps		Locked rotor current		
Single Phase 230 V 50 Hz	Three Phase 230/400 V 50 Hz	Single Phase 230 V 50 Hz	Three Phase 230 V 400 V 50 Hz	
AGE 0.50 M	AGE 0.50 T	6.6	6.2	3.6
AGE 0.60 M	AGE 0.60 T	8.7	8.6	5
AGE 0.80 M	AGE 0.80 T	11	10.7	6.2
AGF 0.60 M	AGF 0.60 T	11	10.7	6.2
AGF 0.80 M	AGF 0.80 T	11.8	11.4	6.6