



EBARA

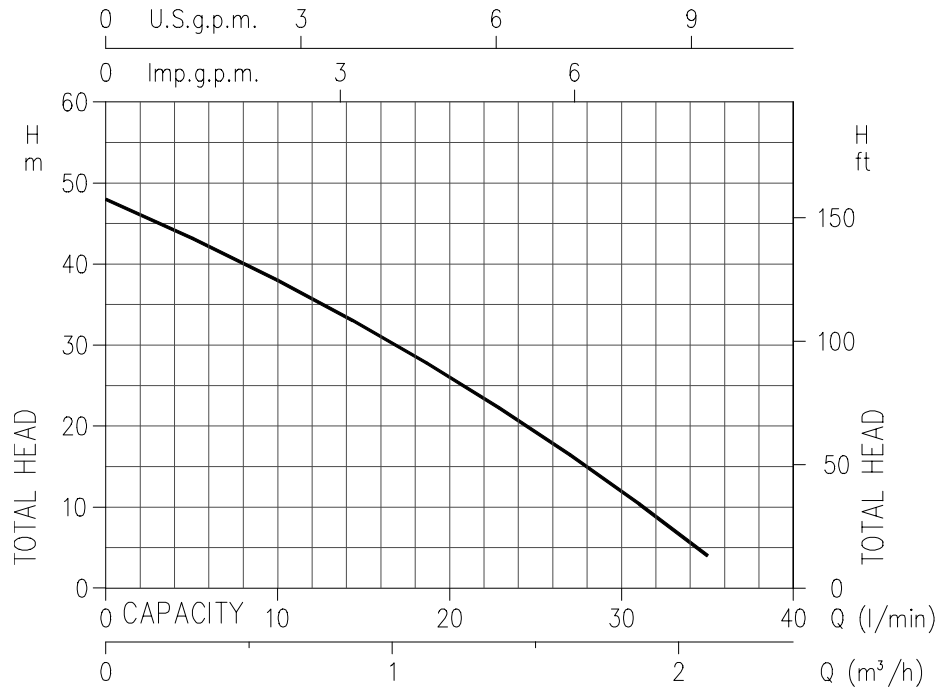
	Page
- SPECIFICATIONS	200
SELECTION CHART	201
PERFORMANCE CHART PRF 0.65	202
- CONSTRUCTIONS	300
SECTIONAL VIEW	300
MECHANICAL SEAL	301
DIAGRAM AND ELECTRIC CONNECTIONS	302
- DIMENSIONS	400
PACKING AND WEIGHT	401
- TECHNICAL DATA	500

SPECIFICATIONS

50 Hz

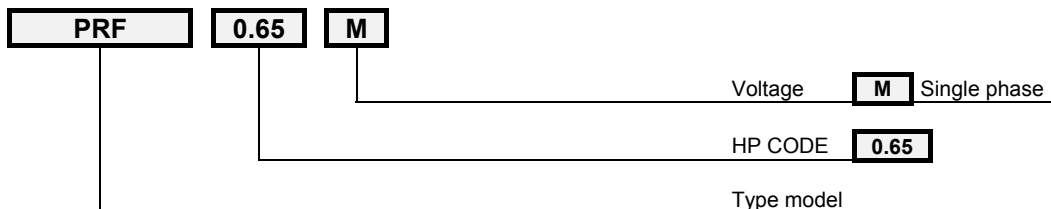
PUMP		
Liquid Handled	Type of liquid	Clean water
	Max temperature [°C]	90
Maximum working pressure [MPa]		0.6
Construction	Impeller	Peripheral turbine type
	Shaft seal type	Mechanical seal
	Bearing	Sealed ball bearing
Pipe Connection	Suction	G 1
	Discharge	G 1
Material	Casing	Cast iron
	Impeller	Brass
	Shaft seal	Ceramic/Carbon/NBR
	Seal cover	Cast iron
	Shaft	AISI 416
	Bracket	Cast iron
Applicable standard of test		ISO 9906 – Annex A

MOTOR		
Type		Electric - TEFC Single Phase
No. of Poles		2
Rotation speed	[min ⁻¹]	≈2800
Insulation Class		Class F
Protection degree		IP 44
Power rating	[kW]	0.37
	[HP]	0.5
Frequency	[Hz]	50
Voltage	[V]	220 ±6% - 230±10%
Capacitor		Built in
Over load protection		Built in
Casing material		Fe P04
Base material/motor support		Fe P04
Dimensions of cable entry		PG 11

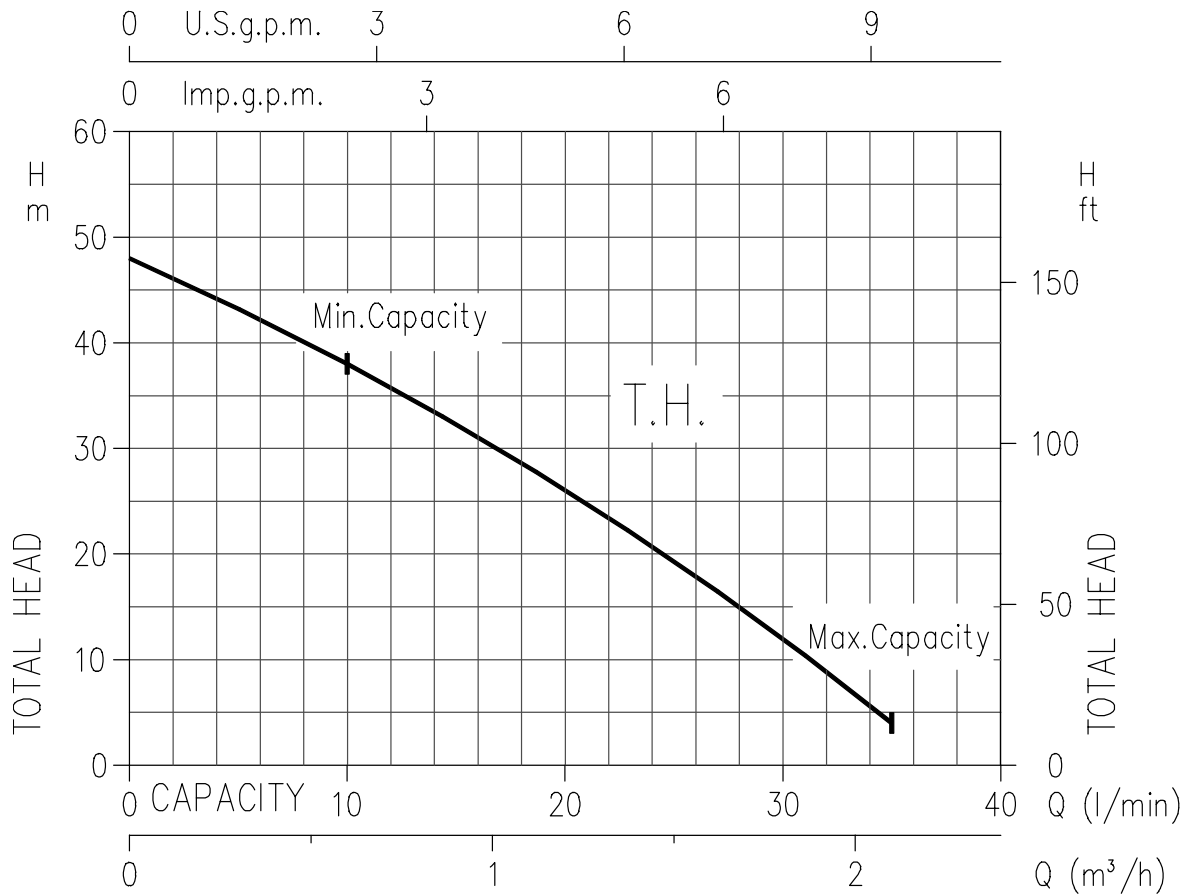


Type pumps	kW	HP	Q=Capacity					
			l/min 10	15	20	25	30	35
Single phase 230 V 50 Hz			m³/h 0.6	0.9	1.2	1.5	1.8	2.1
H=Total manometric head in meters								
PRF 0.65 M	0.37	0.5	38	32.3	26.1	19.3	12	4

EXAMPLE:

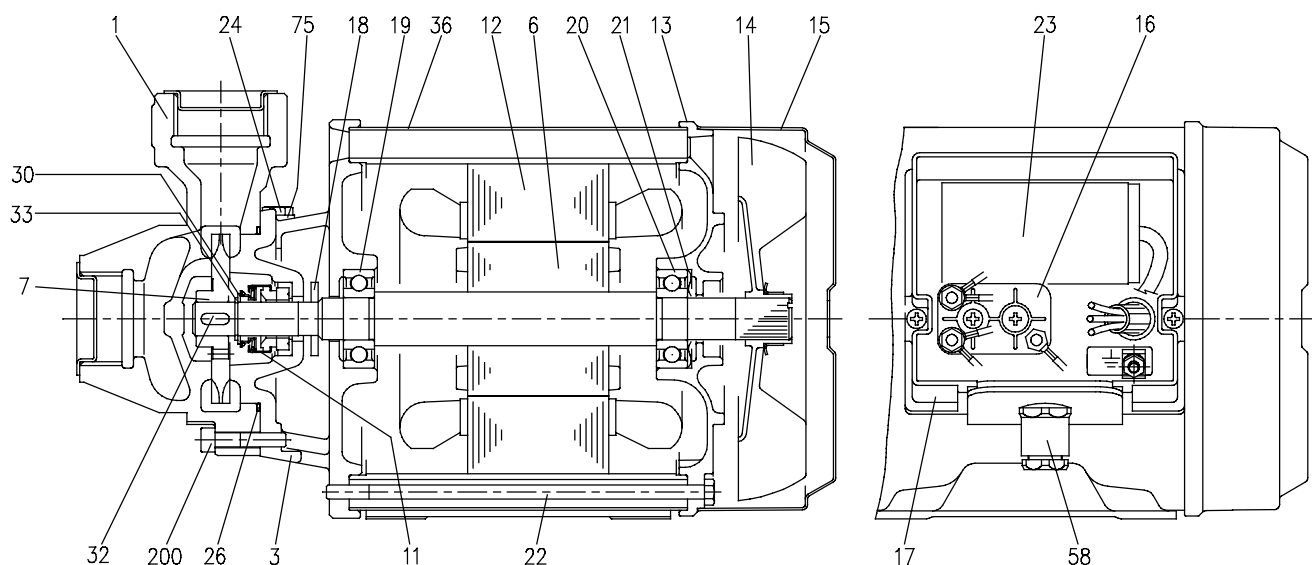


PRF 0.65 (0.37 kW)
SYNCHRONOUS SPEED: 3000 min⁻¹



Temperature of water: 20°C
Impeller diameter = 60 mm
Applicable standard of test: ISO 9906 - Annex A

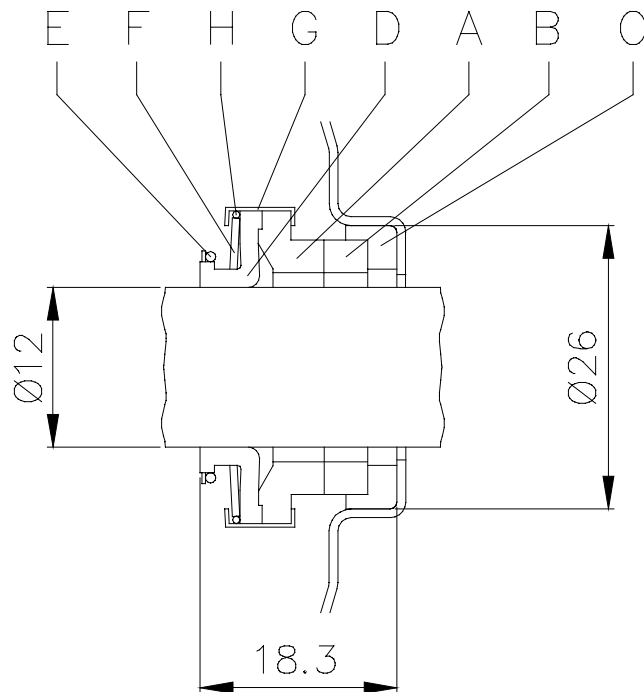
SECTIONAL VIEW



N°	PART NAME	MATERIAL	NO.FOR 1 UNIT	N°	PART NAME	MATERIAL	NO.FOR 1 UNIT
1	Casing	Cast iron	1	20	Fan side ball bearing	-	1
3	Motor bracket	Cast iron	1	21	Adjusting ring	Steel C70	1
6	Shaft with rotor	AISI 416	1	22	Tie rod	Fe 42 Zinked	4
7	Impeller	Brass	1	23	Capacitor	-	1
11	Mechanical seal [1]	Carbon/Ceramic/NBR	1	24	Priming plug	Brass	1
12	Motor frame with stator	-	1	26	O-Ring	NBR	1
13	Motor cover	Aluminium	1	30	Washer	AISI 304	1
14	Fan	Polypropilene	1	32	Key	AISI 304	1
15	Fan cover	Fe P04 Zinked	1	33	Seeger ring	AISI 420	1
16	Terminal box	-	1	36	External motor casing	Fe P01	1
17	Terminal box cover	Polyamide	1	58	Cable entry	-	1
18	Splash ring	NBR	1	75	Washer	Aluminium	1
19	Pump side ball bearing	-	1	200	Screw	Stainless steel A2 UNI 7323	3

[1] See constructions mechanical seal page 301

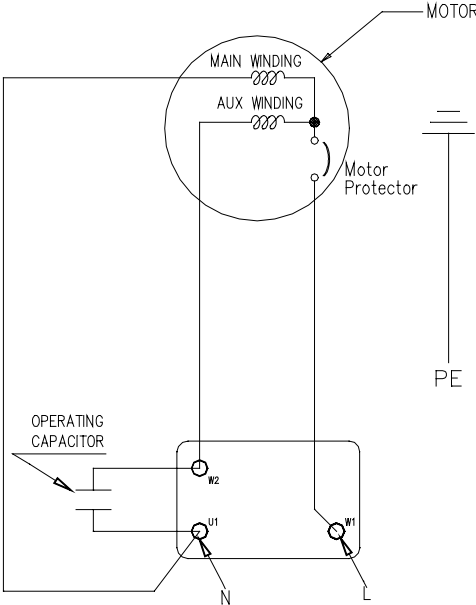
MECHANICAL SEAL

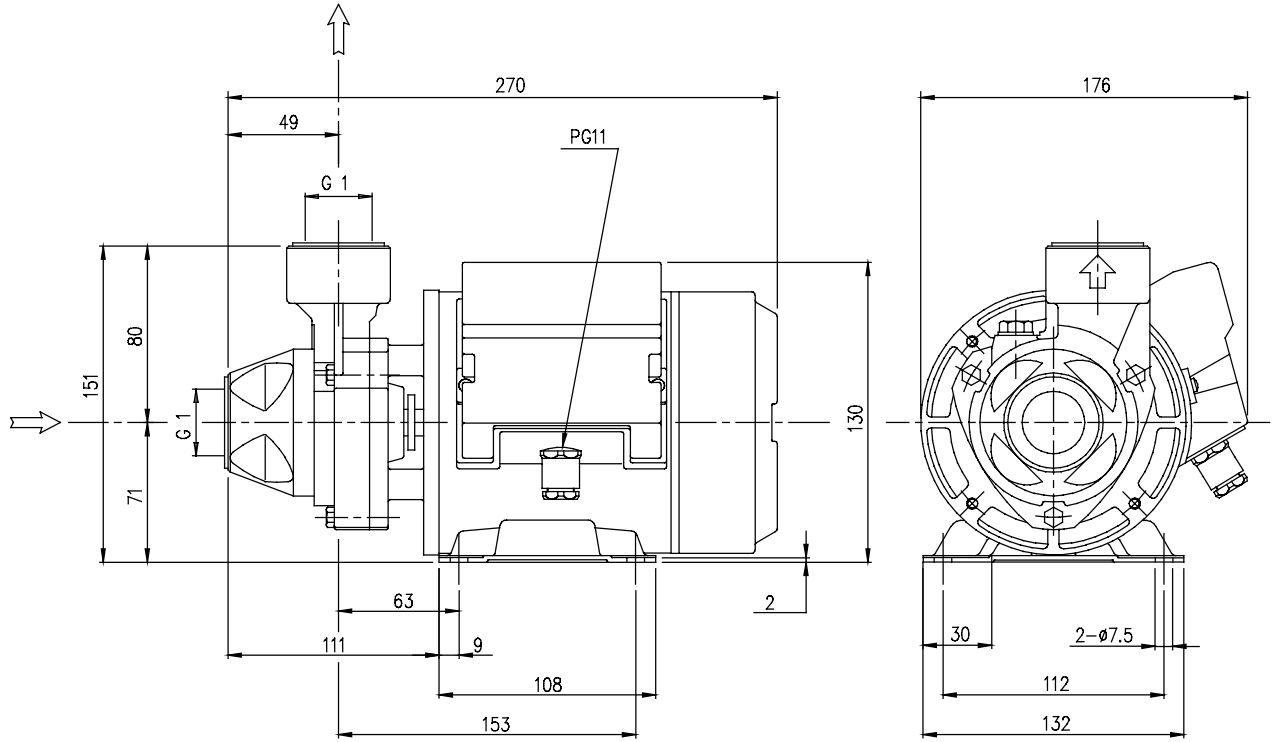


REF	PART NAME	MATERIAL product standard
		PRF
A	Rotary seal ring	carbon graphite
B	Stationary seal ring	ceramic
C	Gasket	NBR
D	Bellows	NBR
E	Ring	AISI 304
F	Self driving spring	AISI 304
G	Frame	AISI 304
H	Retainer ring	AISI 304

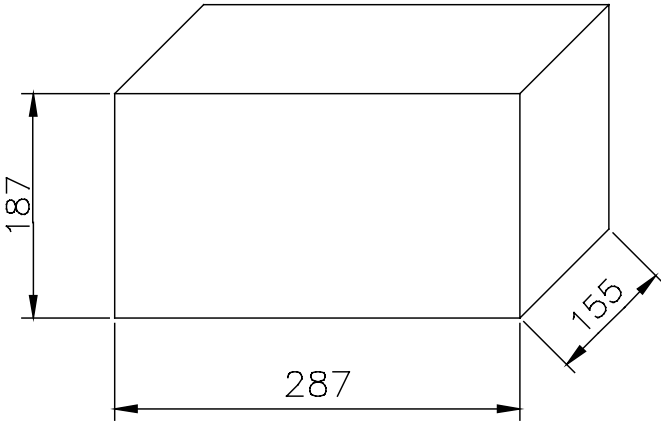
DIAGRAM AND ELECTRIC CONNECTIONS

SINGLE PHASE MOTOR





Dimensions in mm



Type pumps	WEIGHT [kg]
Single phase	Single phase
PRF 0.65 M	8

Type pumps Single phase 230 V 50 Hz	kW	HP	Ball bearing		Capacitor Single phase		Input in [kW] Single Phase	Full load current in [A] Single Phase
			Pump side	Fan side	μ F	Vl		
PRF 0.65 M	0.37	0.5	6202 ZZ	6202 ZZ	12.5	450	0.64	2.8

Type pumps Single phase 230 V	Locked rotor current Single phase 230 V
PRF 0.65 M	10