



EBARA

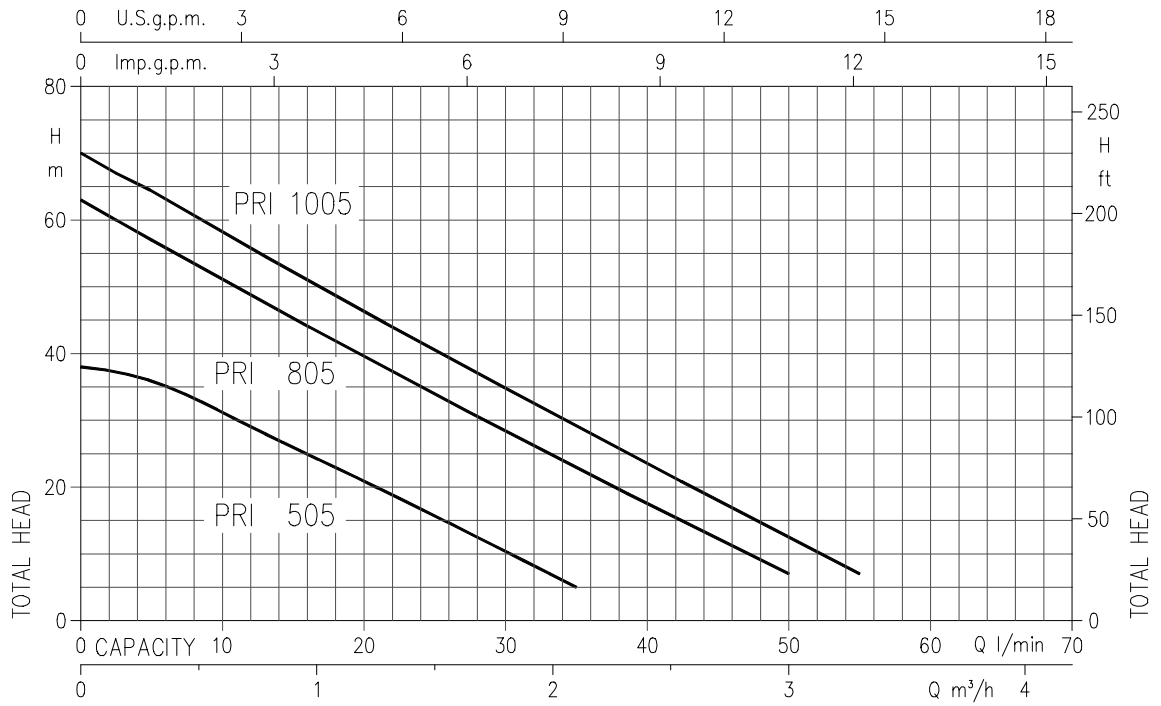
	Page
- SPECIFICATIONS	200
SELECTION CHART	201
PERFORMANCE CHART PRI 505	202
PERFORMANCE CHART PRI 805	203
PERFORMANCE CHART PRI 1000	204
- CONSTRUCTIONS	300
SECTIONAL VIEW	300
MECHANICAL SEAL	301
DIAGRAM AND ELECTRIC CONNECTIONS	302
DIAGRAM AND ELECTRIC CONNECTIONS	303
- DIMENSIONS	400
PACKING AND WEIGHT	401
- TECHNICAL DATA	500

SPECIFICATIONS

50Hz

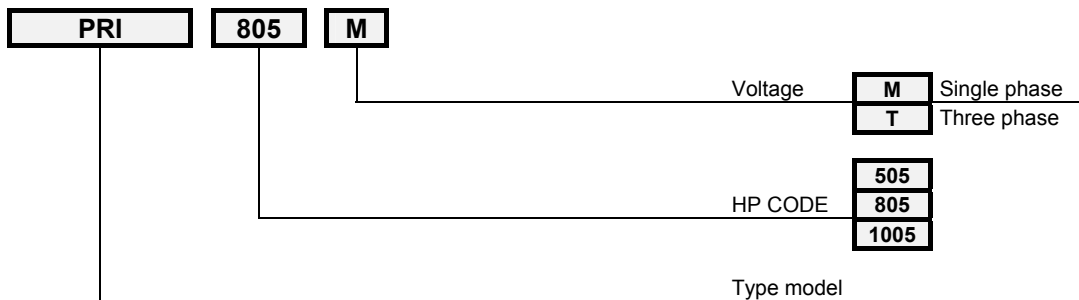
PUMP		
Liquid Handled	Type of liquid	Clean water
	Max temperature [°C]	90
Maximum working pressure	[MPa]	0.6 (PRI 505) 0.75 (PRI 805) 1.2 (PRI 1005)
Construction	Impeller	Peripheral turbine type
	Shaft seal type	Mechanical seal
	Bearing	Sealed ball bearing
Pipe Connection	Suction [inch]	G 1
	Discharge [inch]	G 1
Material	Casing	Cast iron
	Impeller	Brass
	Shaft seal	Ceramic/Carbon/NBR
	Seal cover	Cast iron
	Shaft	AISI 416 (wet extension)
	Bracket	Cast iron
Applicable standard of test		ISO 9906 – Annex A

MOTOR		
Type	Electric - TEFC	
	Single Phase	Three Phase
No. of Poles/Speed	2	
Synchronous speed [min ⁻¹]	3000	
Insulation Class	Class F	
Protection degree	IP 44	
Power rating	[kW]	0.37 ÷ 0.75
	[HP]	0.5 ÷ 1
Frequency [Hz]	50	
Voltage [V]	230V ±10%	230/400 ±10%
Capacitor	Built in	-
Over load protection	Built in	Provided by the user
Casing material	AISI 304	
Base material/motor support	AISI 304	
Dimensions of cable entry	PG 11	

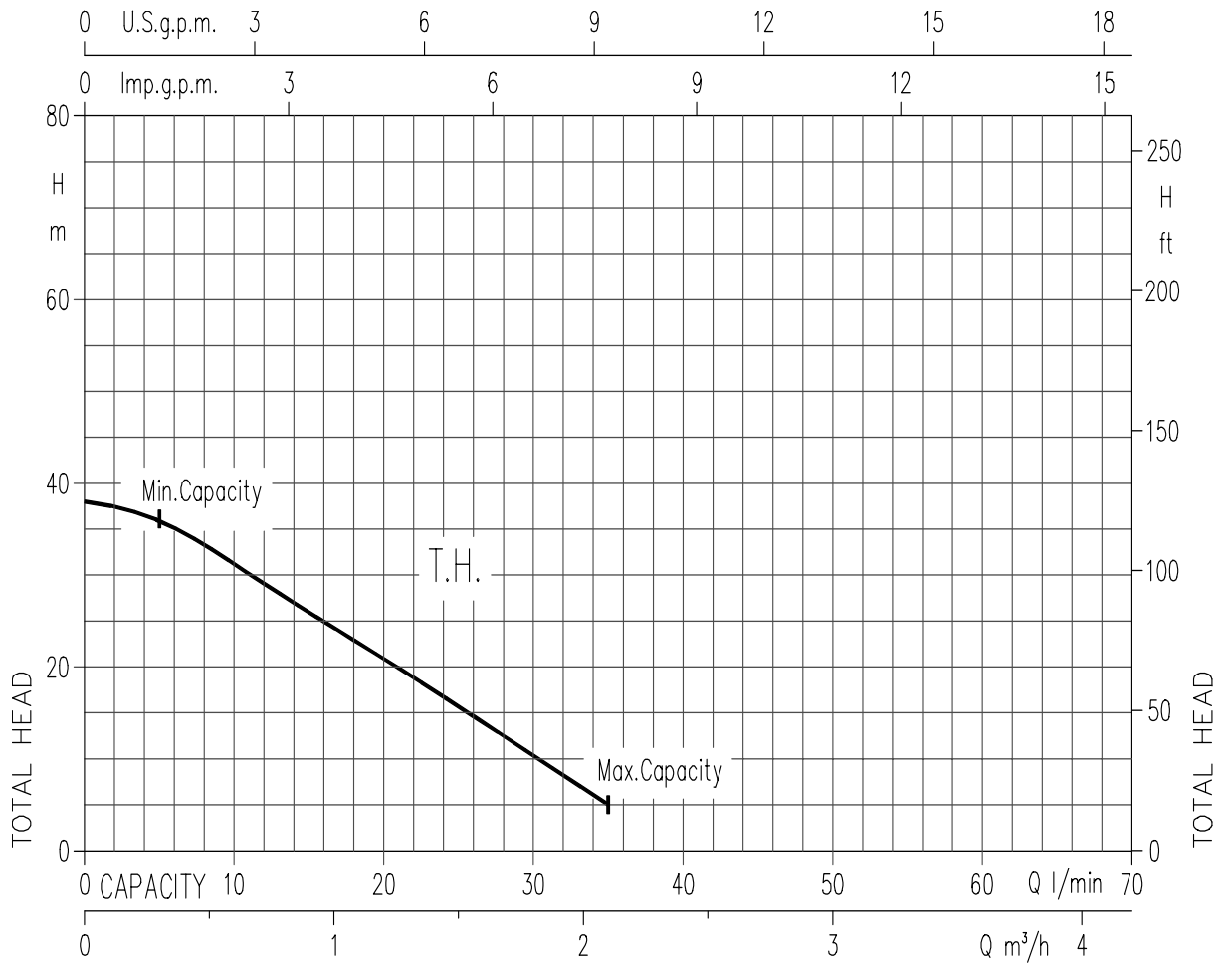


Type pumps		kW	HP	Q=Capacity								
Single phase 230 V 50 Hz	Three phase 230/400 V 50 Hz			l/min 5	10	20	30	35	40	50	55	
				m³/h 0.3	0.6	1.2	1.8	2.1	2.4	3	3.3	
H=Total manometric head in meters												
PRI 505 M	PRI 505 T	0.37	0.5	37	31.5	21.5	10.4	5	-	-	-	
PRI 805 M	PRI 805 T	0.60	0.8	57	51.2	39.6	28.4	22.9	17.5	7	-	
PRI 1005 M	PRI 1005 T	0.75	1	64	58.2	46.4	34.9	29.2	23.6	12.5	7	

TYPE KEY:

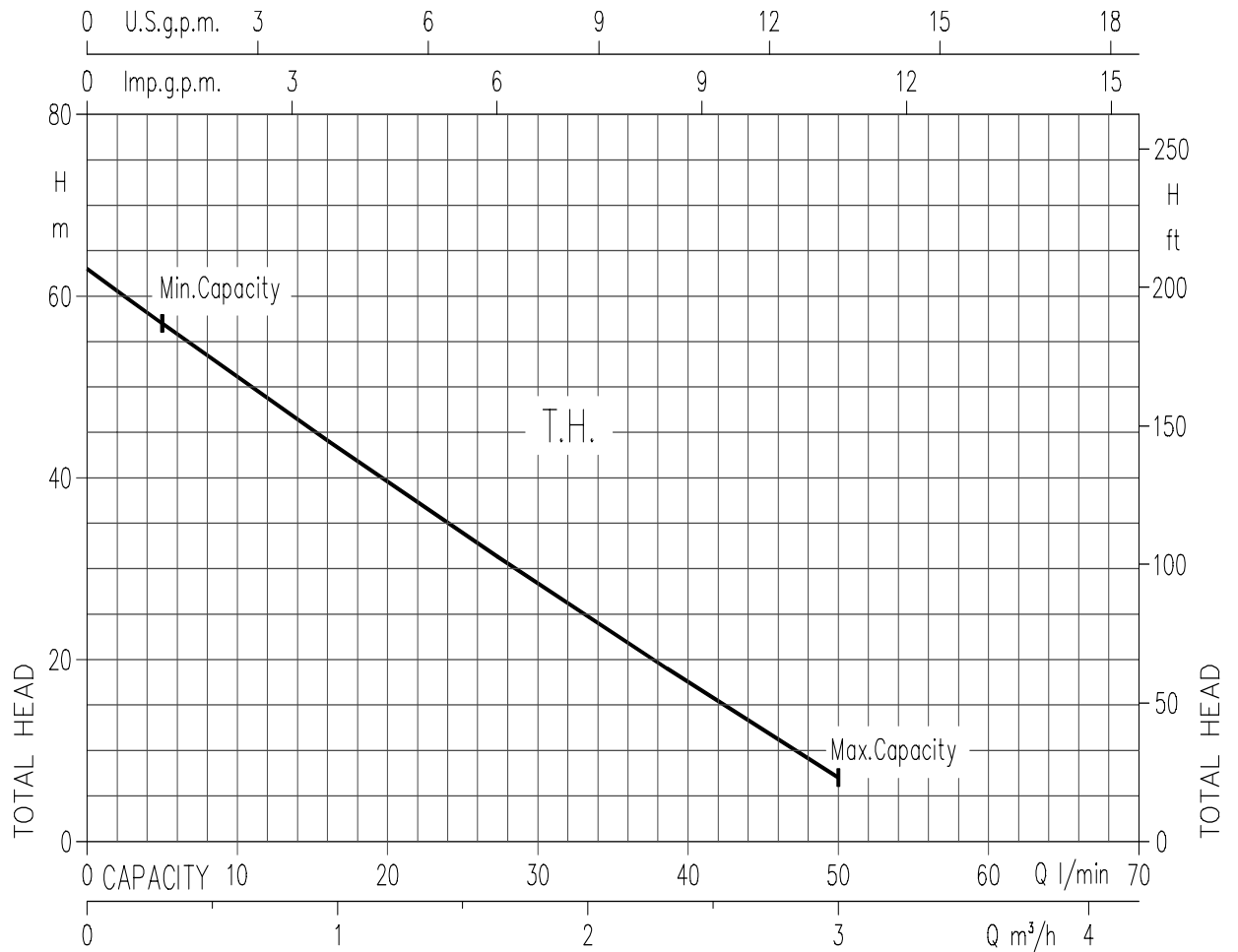


**PRI 505 (0.37 kW)
SYNCHRONOUS SPEED: 3000 min⁻¹**



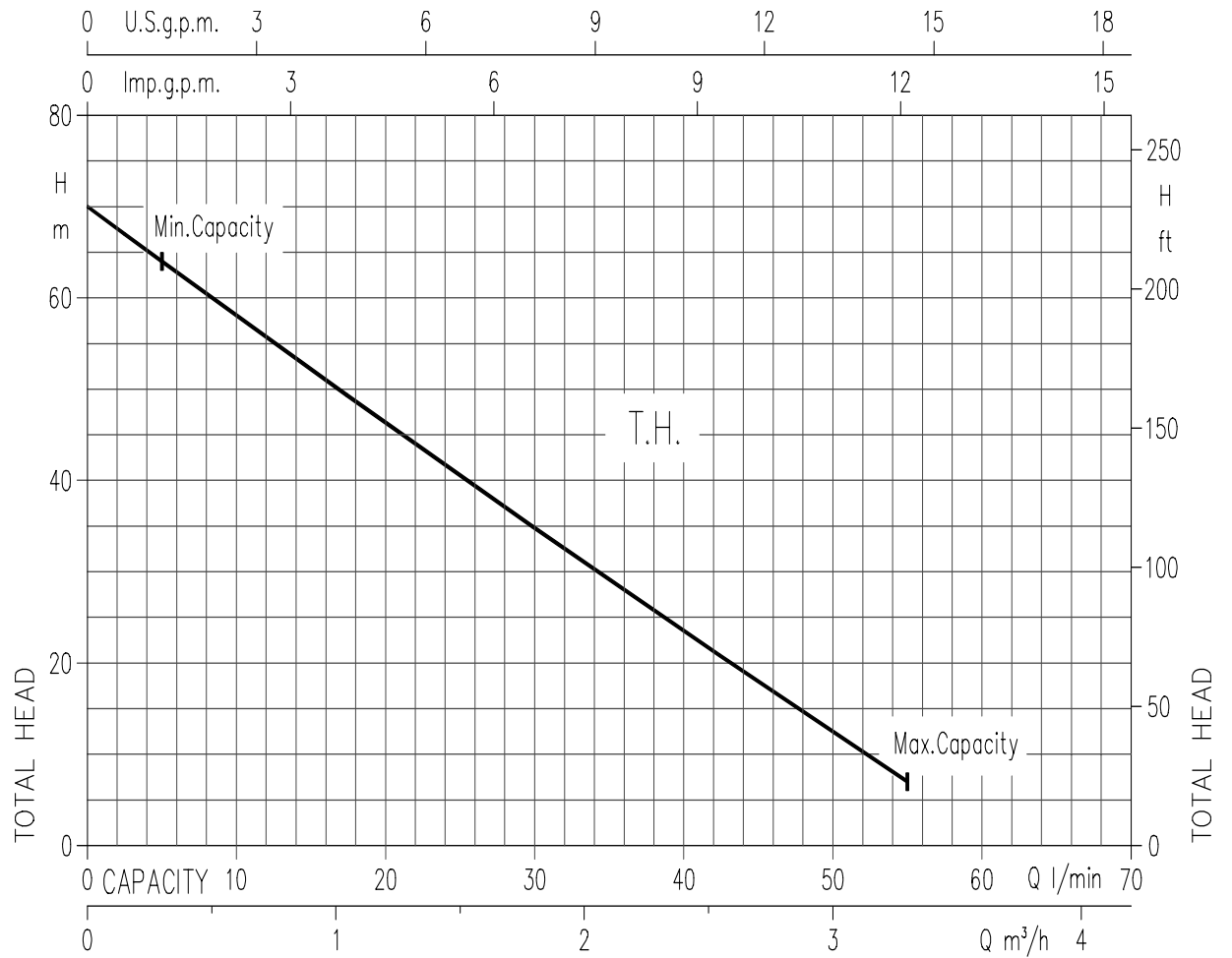
Temperature of water: 20°C
 Impeller diameter = 60 mm
 Applicable standard of test: ISO 9906 - Annex A

PRI 805 (0.60 kW)
 SYNCHRONOUS SPEED: 3000 min⁻¹



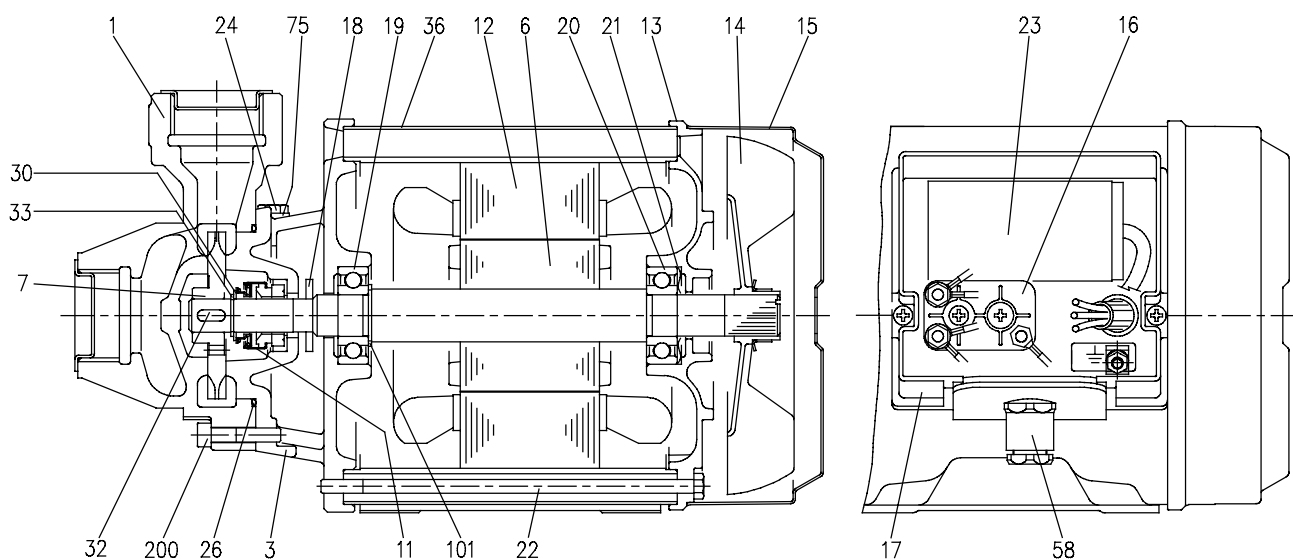
Temperature of water: 20°C
 Impeller diameter = 70 mm
 Applicable standard of test: ISO 9906 - Annex A

**PRI 1005 (0.75 kW)
SYNCHRONOUS SPEED: 3000 min⁻¹**



Temperature of water: 20°C
 Impeller diameter = 70.8 mm
 Applicable standard of test: ISO 9906 - Annex A

SECTIONAL VIEW

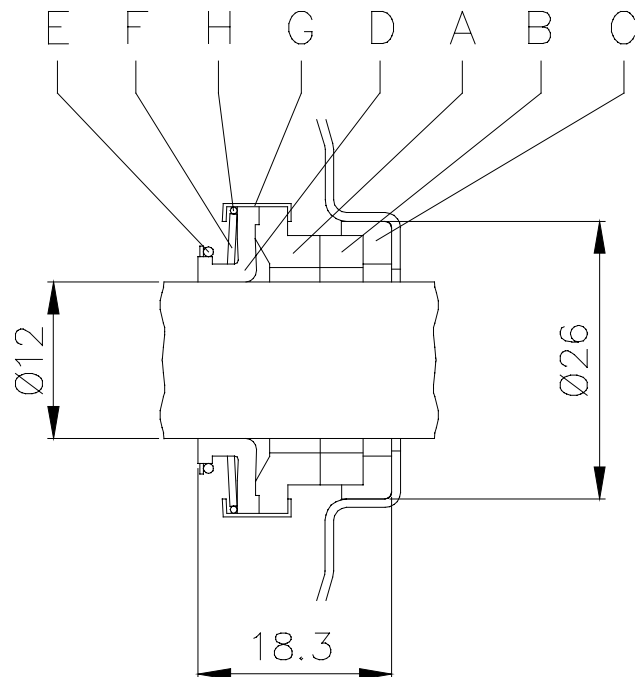


N°	PART NAME	MATERIAL	NO. FOR 1 UNIT	N°	PART NAME	MATERIAL	NO. FOR 1 UNIT
1	Casing	AISI 304	1	21	Adjusting ring	Steel C70	1
3	Motor bracket	Cast iron	1	22	Tie rod	Fe 42 Zinked	4
6	Shaft with rotor	AISI 416	1	23	Capacitor [1]	-	1
7	Impeller	Brass	1	24	Priming plug	Brass	1
11	Mechanical seal [2]	Carbon/Ceramic/NBR	1	26	O-ring	NBR	1
12	Motor frame with stator	-	1	30	Washer	AISI 304	1
13	Motor cover	Aluminium	1	32	Key	AISI 304	1
14	Fan	Polypropilene	1	33	Seeger ring	AISI 420	1
15	Fan cover	Fe P04 Zinked	1	36	External motor casing	AISI 304	1
16	Terminal box	-	1	58	Cable entry	-	1
17	Terminal box cover	Polyamide	1	75	Washer	Aluminium	1
18	Splash ring	NBR	1	101	Seeger ring	AISI 420	1
19	Pump side ball bearing	-	1	200	Screw	Stainless steel A2 UNI 7323	3
20	Fan side ball bearing	-	1	-	-	-	-

[1] Only for single phase

[2] See constructions mechanical seal page 301

MECHANICAL SEAL

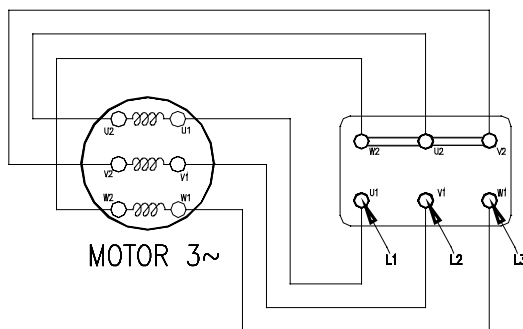


REF	PART NAME	MATERIAL product standard
		PRI
A	Rotary seal ring	carbon graphite
B	Stationary seal ring	ceramic
C	Gasket	NBR
D	Bellows	NBR
E	Ring	AISI 304
F	Self driving spring	AISI 304
G	Frame	AISI 304
H	Retainer ring	AISI 304

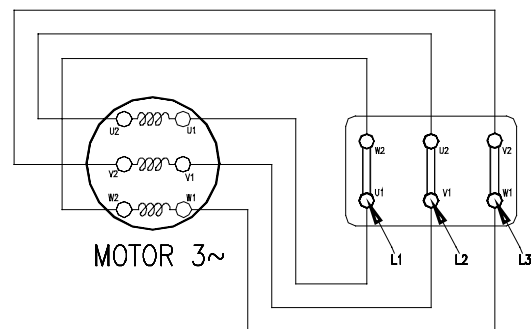
DIAGRAM AND ELECTRIC CONNECTIONS

THREE PHASE MOTOR

STAR CONNECTION

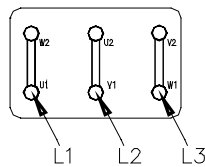


DELTA CONNECTION



FOR MOTOR 4 kW AND BELOW

DELTA CONNECTION 230 V



STAR CONNECTION 400 V

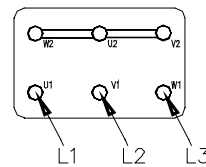
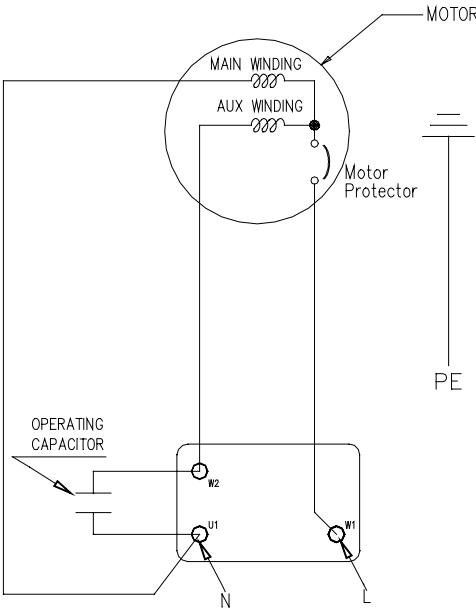
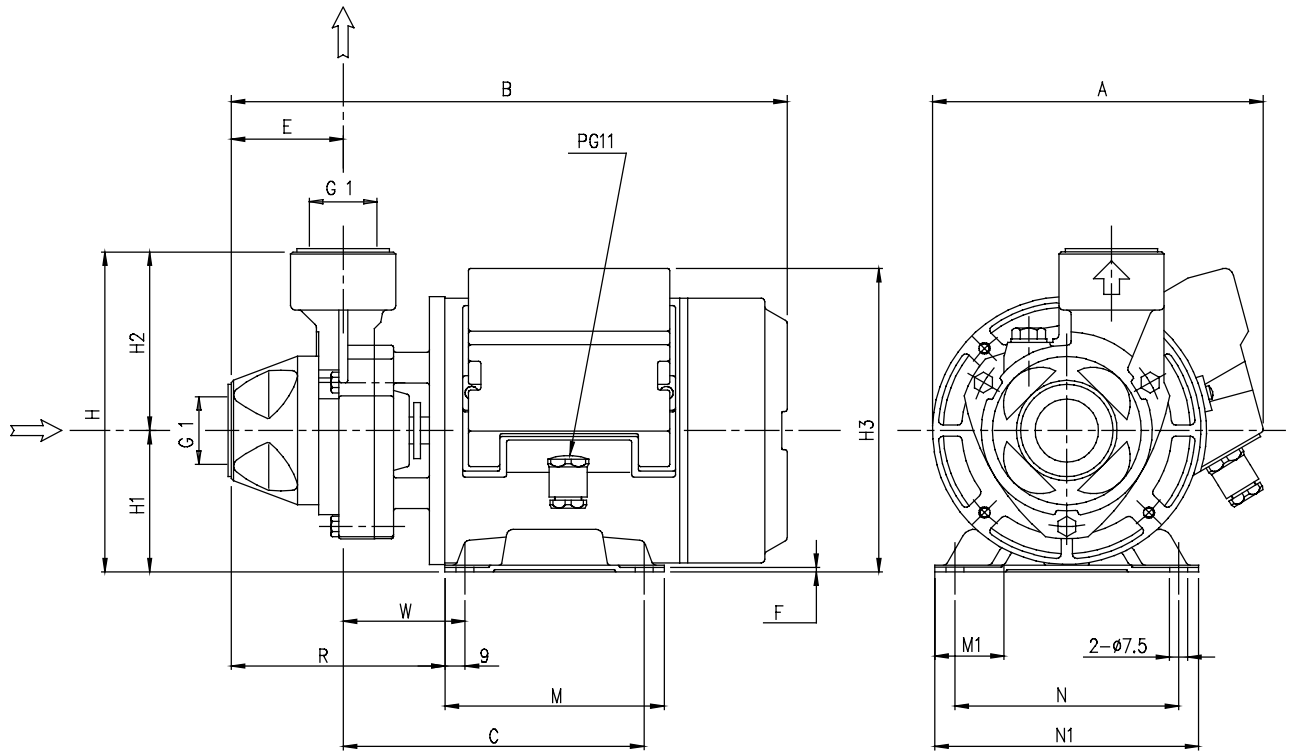


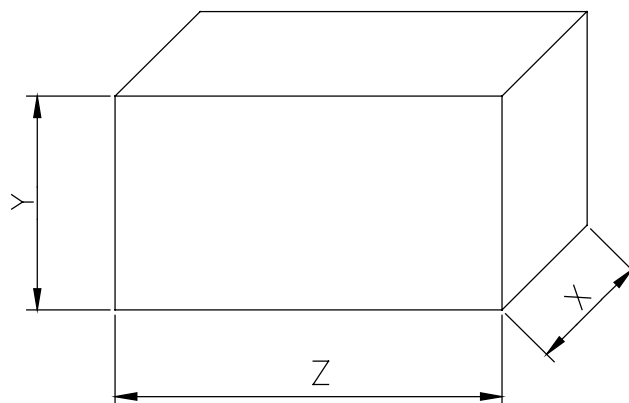
DIAGRAM AND ELECTRIC CONNECTIONS

SINGLE PHASE MOTOR





Type pumps	Dimensions in mm														
	A	B	C	E	F	H	H1	H2	H3	M	M1	N	N1	R	W
PRI 505	147.3	247	134.5	50	1.5	143	63	80	136.5	98	26	100	120	95.5	54.5
PRI 805	154.2	292	154.8	53.8	2	161	71	90	155.2	108	28	112	132	109.5	64.8
PRI 1005	154.2	292	154.8	53.8	2	161	71	90	155.2	108	28	112	132	109.5	64.8



Type pumps		PACKING [mm]			WEIGHT [kg]	
Single phase	Three phase	X	Y	Z	Single phase	Three phase
PRI 505 M	PRI 505 T	282	152	175	5.5	5.5
PRI 805 M	PRI 805 T	307	177	185	9	9
PRI 1005 M	PRI 1005 T	307	177	185	9.6	9.6

Type pumps		kW	HP	Capacitor		Input		Full load current			Locked rotor current		
Single phase 230 V 50 Hz	Three phase 230/400 V 50 Hz			Single phase μF	Vc	Single Phase	Three Phase	Single Phase	Three Phase 230 V	400 V	Single phase 230 V	Three phase 230 V	
PRI 505 M	PRI 505 T	0.37	0.5	10	450	0.55	0.57	2.6	1.8	1	6.9	6.6	3.8
PRI 805 M	PRI 805 T	0.60	0.8	16	450	1.1	1.08	4.8	3.6	2.1	16.5	17.3	10
PRI 1005 M	PRI 1005 T	0.75	1	20	450	1.2	1.3	5.5	4.1	2.4	19	21.7	12.5

Type pumps		Ball bearing	
Single phase 230 V	Three phase 230/400 V	Pump side	Fan side
PRI 505 M	PRI 505 T	6201 ZZ	6201 ZZ
PRI 805 M	PRI 805 T	6202 ZZ	6202 ZZ
PRI 1005 M	PRI 1005 T	6202 ZZ	6202 ZZ